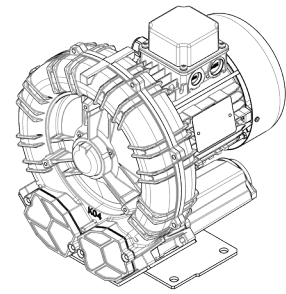


Technical Characteristics	
<ul style="list-style-type: none"> <li>- Aluminum alloy construction</li> <li>- Smooth operation</li> <li>- Maintenance free</li> </ul>	
Electric Motor	
<ul style="list-style-type: none"> <li>- Motors with IP 55 protection rating.</li> <li>- class F insulation, suitable for operating with inverter (refer to FPZ)</li> <li>- Thermal Protector (PTO) as standard</li> </ul>	
Options	
<ul style="list-style-type: none"> <li>- Special voltages (IEC 60038)</li> <li>- Surface treatments</li> <li>- Increased seal version</li> </ul>	

~3	[V] (Δ / Y)	[Hz]
IE2	230 / 400	50
	265 / 460	60
Wide Range	200 - 240 / 345 - 415	50
	220 - 280 / 380 - 480	60

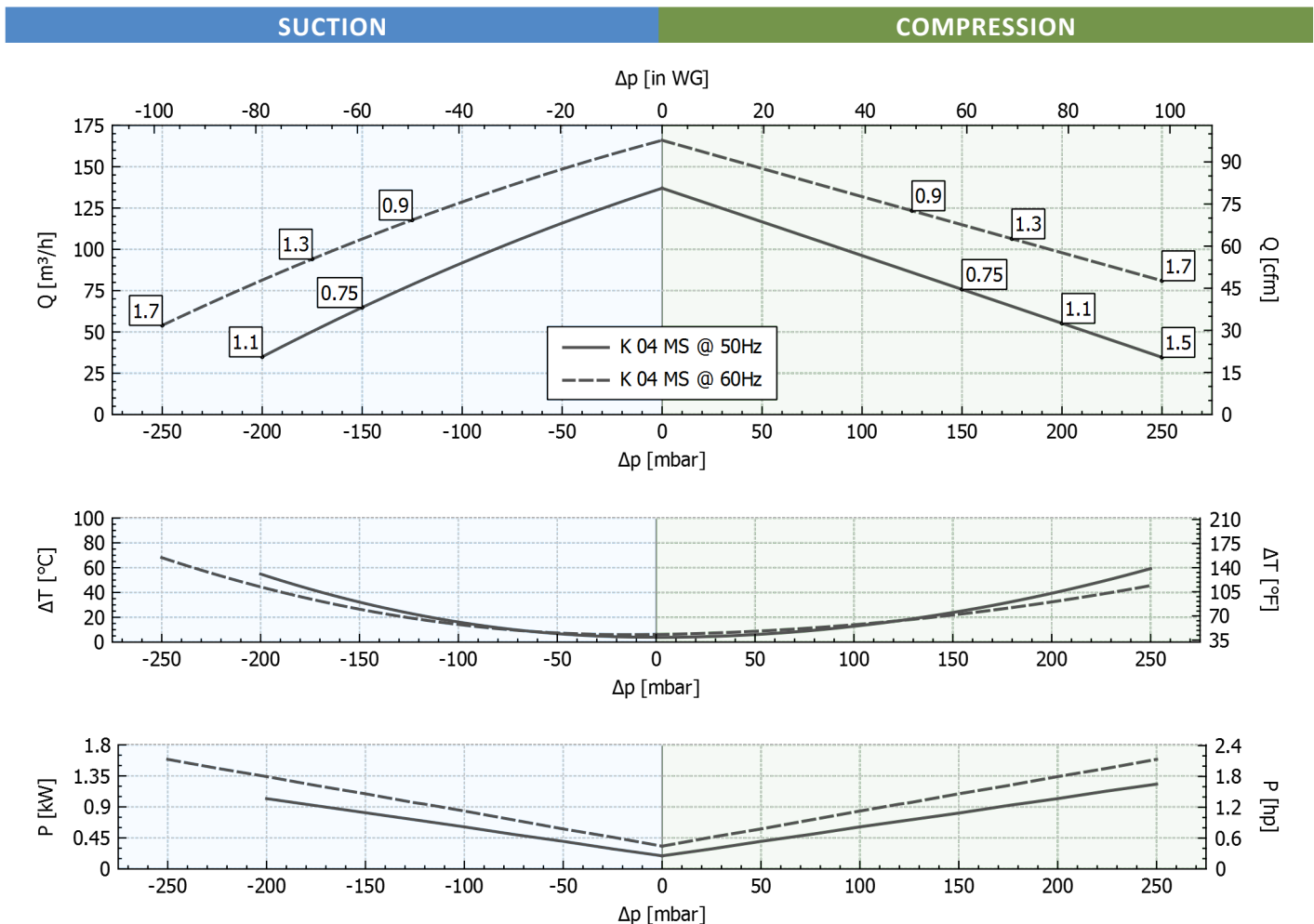
Supply voltage - IE2 only at 50 Hz - Tolerance on the fixed voltage value ± 10%, in range ± 5%.



### Performance Table

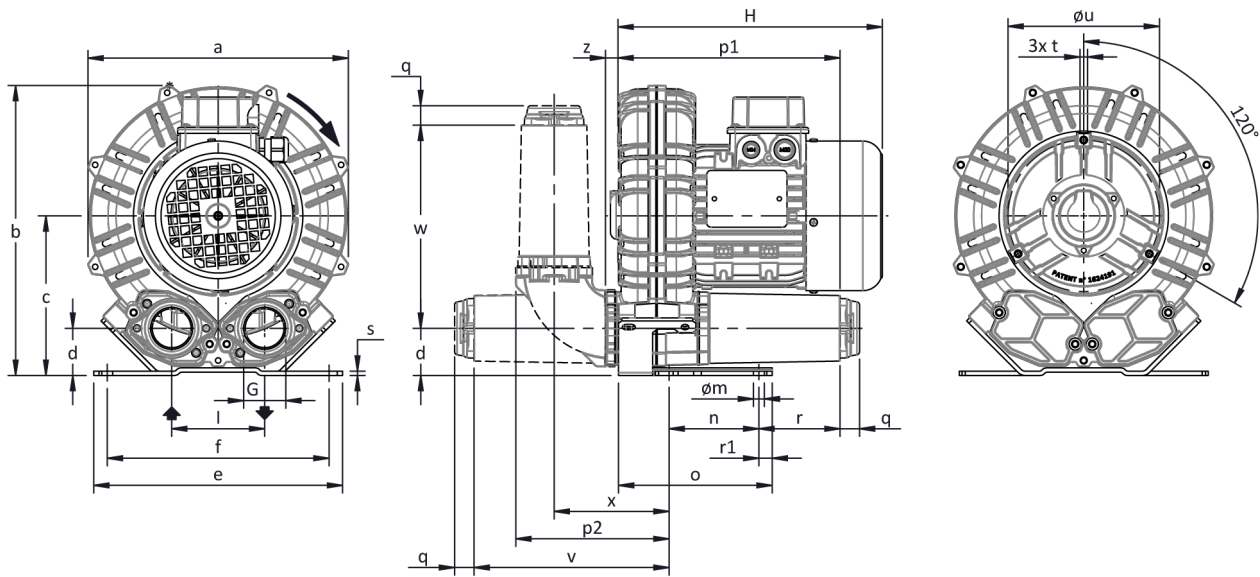
P <sub>n</sub> [kW]	Frequency [Hz]	Δp <sub>max</sub> [mbar]		Q <sub>max</sub> [m <sup>3</sup> /h]	Leq <sup>1</sup> [dB(A)]	Weight [kg]	H <sup>3</sup> [mm]	Current Consumption (Δ / Y) [A]		Cosφ [-]	Speed [rpm]
		Suction	Compression					IE2 <sup>2</sup>	Range		
0.75	50	150	150	137	61.6	16.5	285	1.73 / 3.00	1.86-1.74 / 3.22-3.01	0.8	2875
0.9	60	125	125	166	63.6	16.5	285	1.73 / 3.00	2.03-1.74 / 3.52-3.01	0.82	3460
1.1	50	200	200	137	61.6	18.2	285	2.37 / 4.10	2.62-2.37 / 4.54-4.10	0.83	2870
1.3	60	175	175	166	63.6	18.2	285	2.38 / 4.11	2.80-2.36 / 4.85-4.09	0.84	3455
1.5	50	-	250	137	61.6	21.5	310	3.25 / 5.62	3.47-3.30 / 6.00-5.71	0.81	2900
1.7	60	250	250	166	63.6	21.5	310	3.10 / 5.37	3.53-3.10 / 6.11-5.36	0.82	3505

1. Noise level measured at a distance of 1 m with ducted intake and delivery, in accordance with Standard ISO 3744.  
 2. IE2 only at 50 Hz.  
 3. See figure "dimensions" at following page.



Tolerance on indicated values ± 10%.  
 Data subject to change without notice.  
 Curves referring to air at a temperature of 20 °C and atmospheric pressure of 1013 mbar (abs).

## Dimensions



Configuration with a vertical silencer is only available with the CK accessory kit; for all assembly options refer to FPZ.

NOT Binding  
 Dimensions in mm

a	b	c	d	d1	e	f	G	l	l1	l2	m	n	o	p1	p2	q	r	r1	s	t	u	v	w	x	y	z
285	315	172	49	-	255	225	G 1" 1/2	102	-	-	12	95	171	222	160	18	70	15	4	M6	175	195	188	120	-	18

## INSTALLATION

- For proper operation of the machine, it must be provided with a suction FILTER and a vacuum/pressure limiting VALVE.
- Other accessories are available on request.
- Permissible ambient and fluid temperature in suction from -15 °C to +40 °C.
- Read the instruction manual carefully before installing the machine.